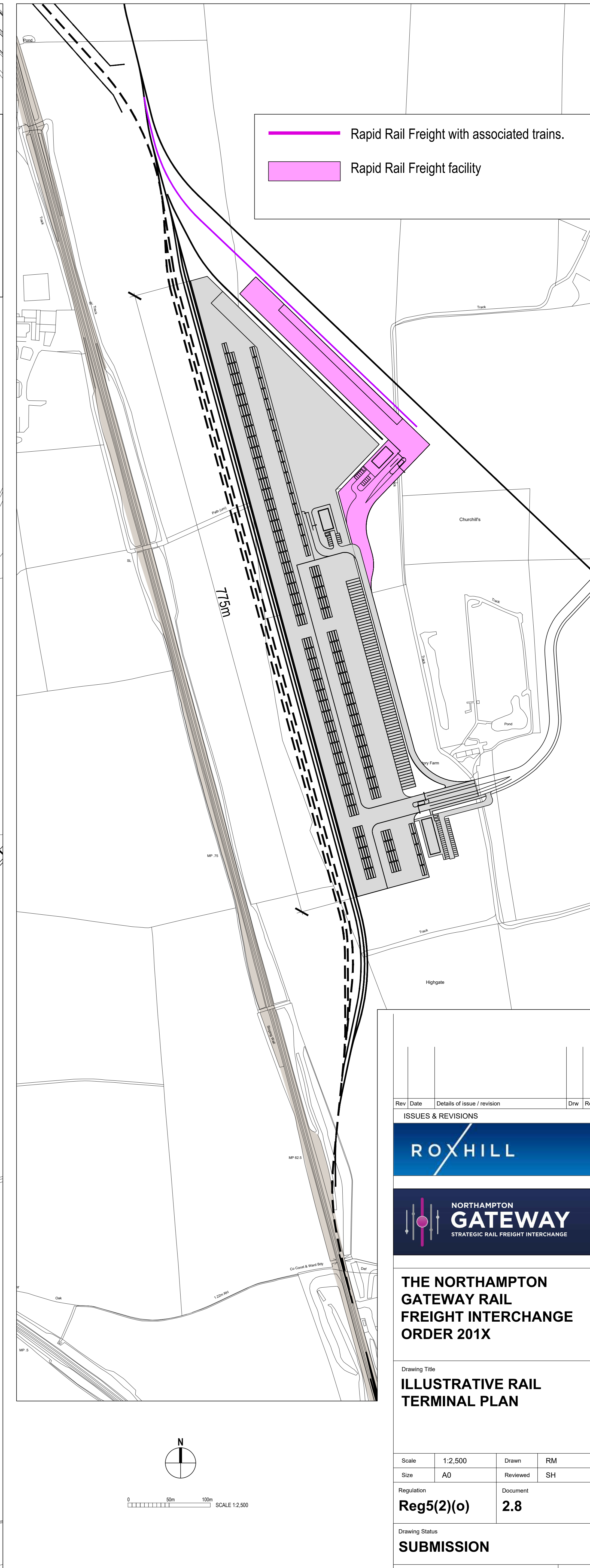
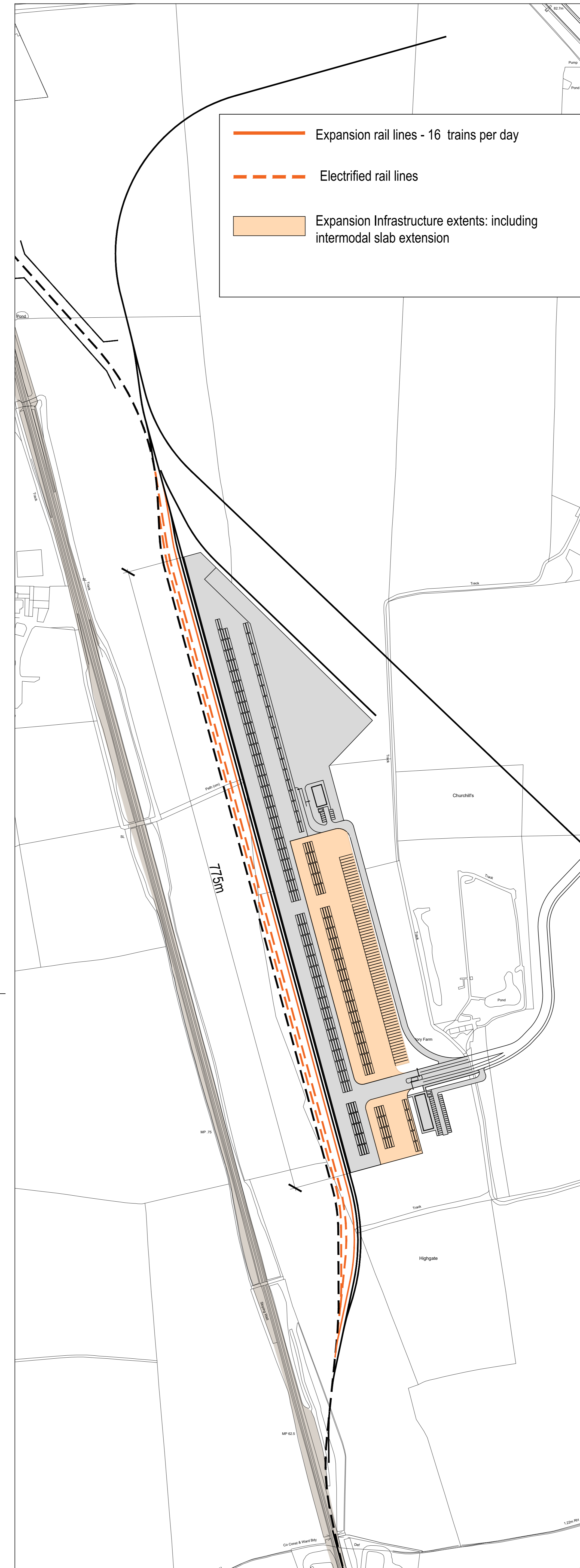
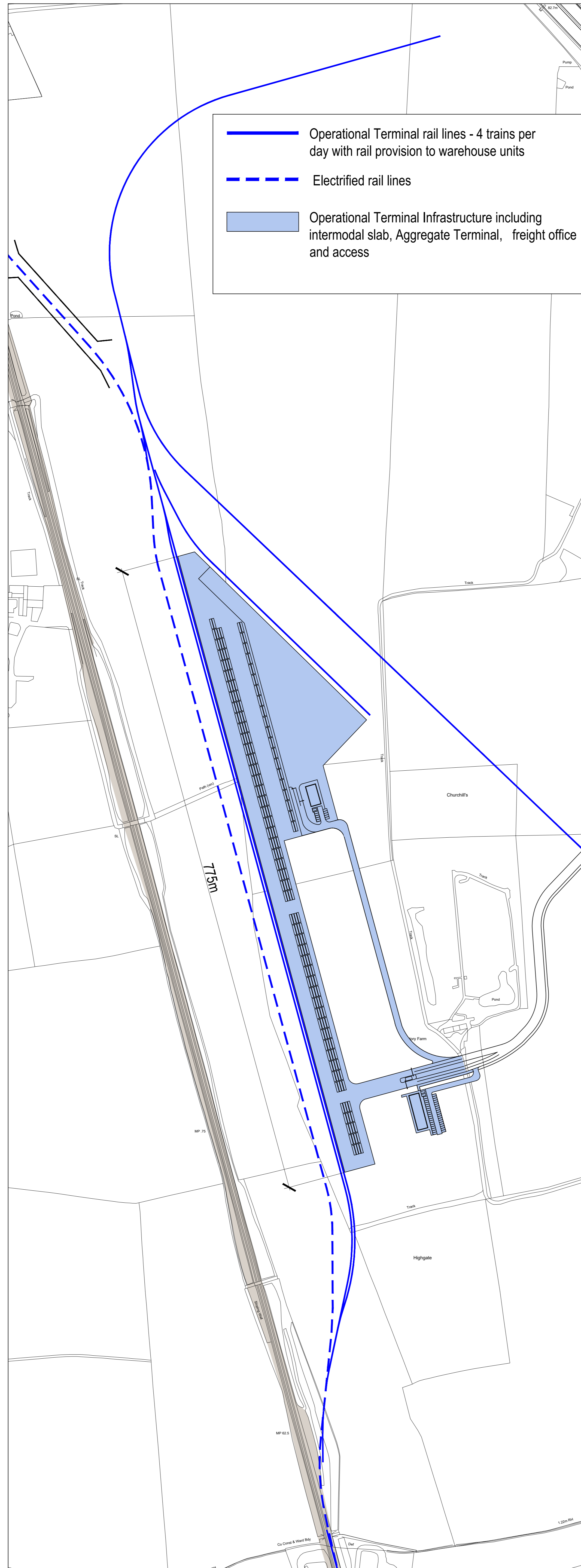
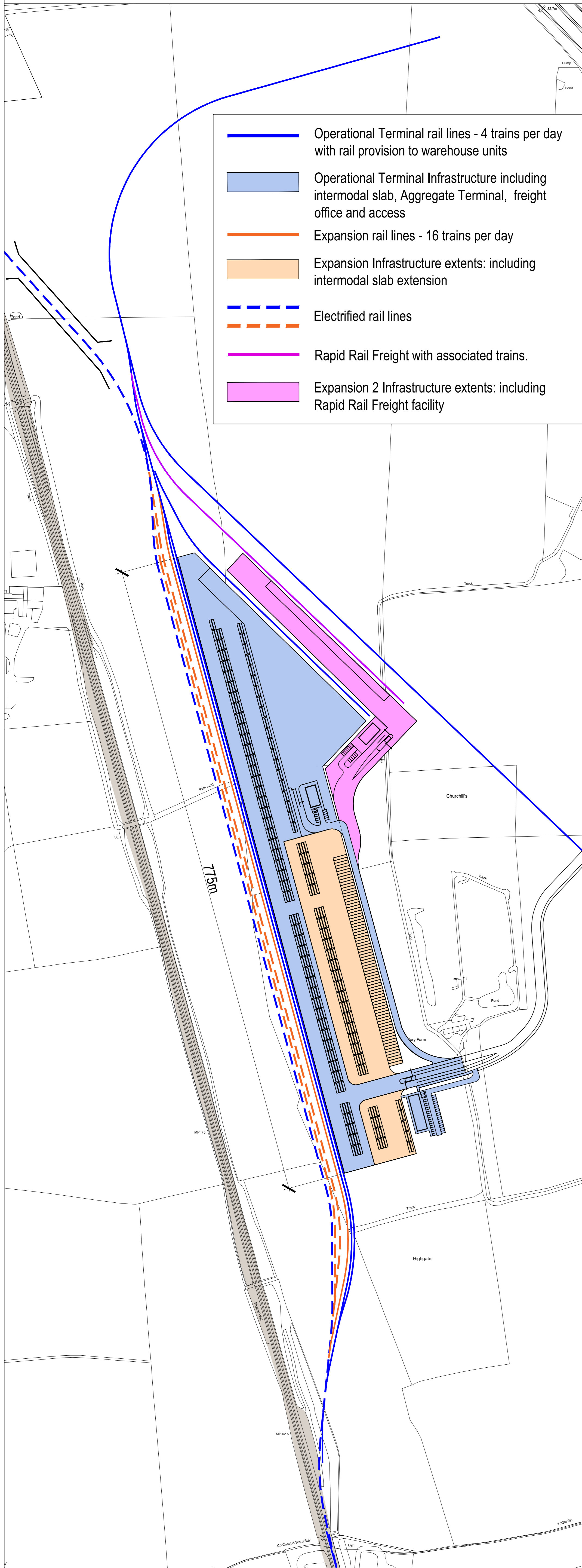


ILLUSTRATIVE RAIL TERMINAL PLAN

a) TERMINAL

b) EXPANSION

c) RAPID RAIL FREIGHT PROVISION

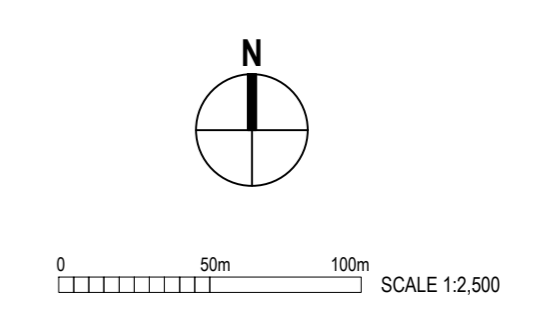


Rev	Date	Details of issue / revision	Drawn	Rev
ISSUES & REVISIONS				



THE NORTHAMPTON GATEWAY RAIL FREIGHT INTERCHANGE ORDER 201X

Drawing Title
ILLUSTRATIVE RAIL TERMINAL PLAN



Scale	1:2,500	Drawn	RM
Size	A0	Reviewed	SH
Regulation	Reg5(2)(o)	Document	2.8
Drawing Status SUBMISSION			
Drawing No.	4054-17	Revision	S1